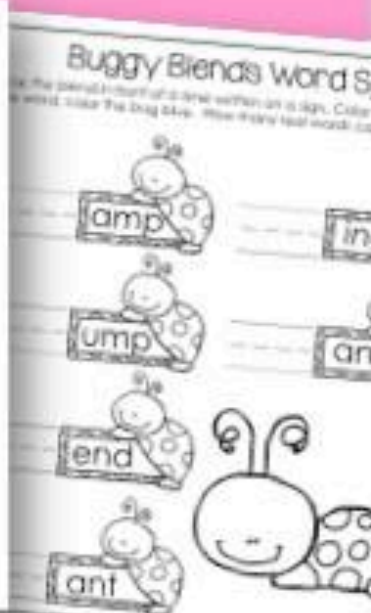
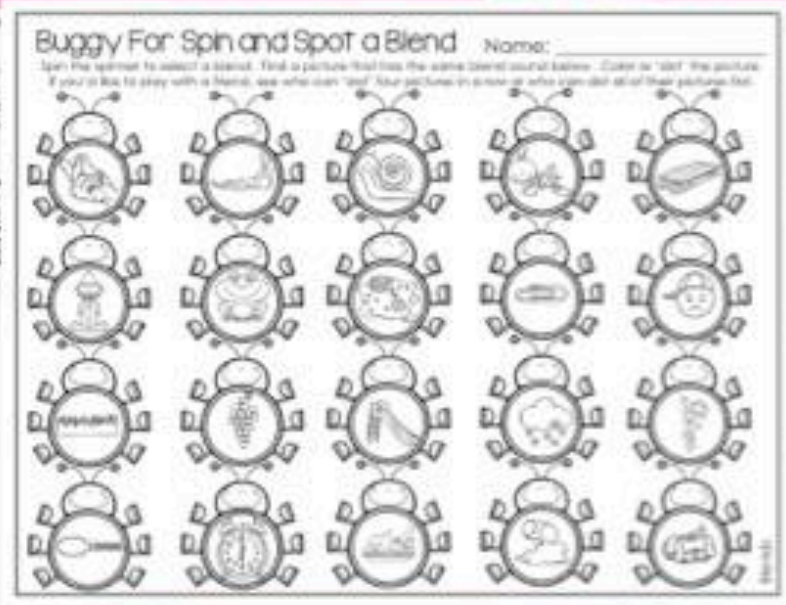
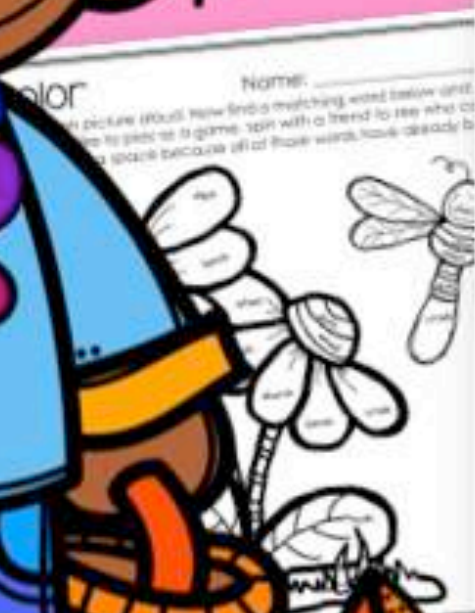


Spinner

Blends, Rhyming and Digraphs Fun Galore



May

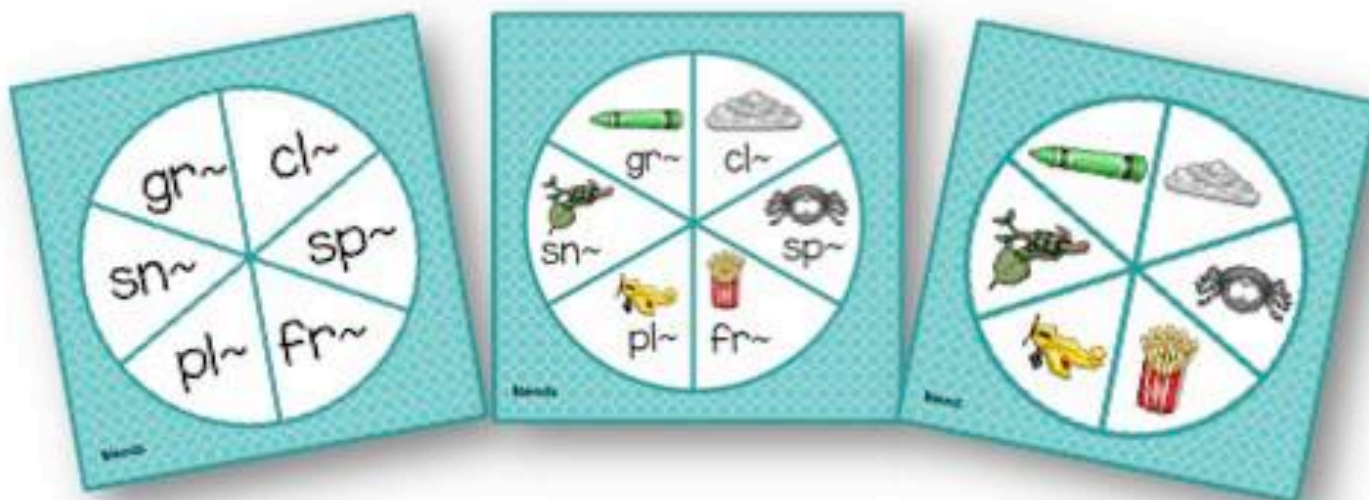
A Differentiated Kindergarten

In this packet . . .

In this 55 page packet, you will find the following items:

- 1 blends picture spinner
- 1 blends picture/sound spinner
- 1 blends sounds spinner
- 1 ending digraph sound spinner
- 2 beginning digraph picture spinner
- 2 beginning word spinner
- 1 rhyming picture spinner
- 1 rhyming picture/sound spinner
- 1 rhyming word spinner
- 1 rhyming word family spinner
- 2 letter spinners
- 1 medial sound spinner
- Instructional/Visual Task Cards for each activity for greater student independence
- 3 Differentiated Spin and Spot a Blend (black/white printable)
- 2 Spin and Color pages for Blends (black/white printable)
- 2 Differentiated Blend Word Spin (black/white printable)
- 2 Differentiated Blends Spin and Bump (in color or black/white).
- 3 Differentiated Spin and Spot an ending digraph (black/white printable).
- 2 Spin and Color pages for Digraphs.
- 2 Differentiated Digraph Word Spin (black/white printable).
- 2 Differentiated Digraph Spot and Dot (black and white printable).
- 2 Differentiated Spin, Write and Graph a Digraph (black and white printable).
- 3 Differentiated Spin and Spot a Rhyme (black/white printable).
- 1 Spin and Color page for Rhymes (black/white printable).
- 2 Differentiated Rhymes Word Spin (black/white printable).
- 1 Spin a real or nonsense CVC word.
- 1 Spin and Spot Medial Sounds

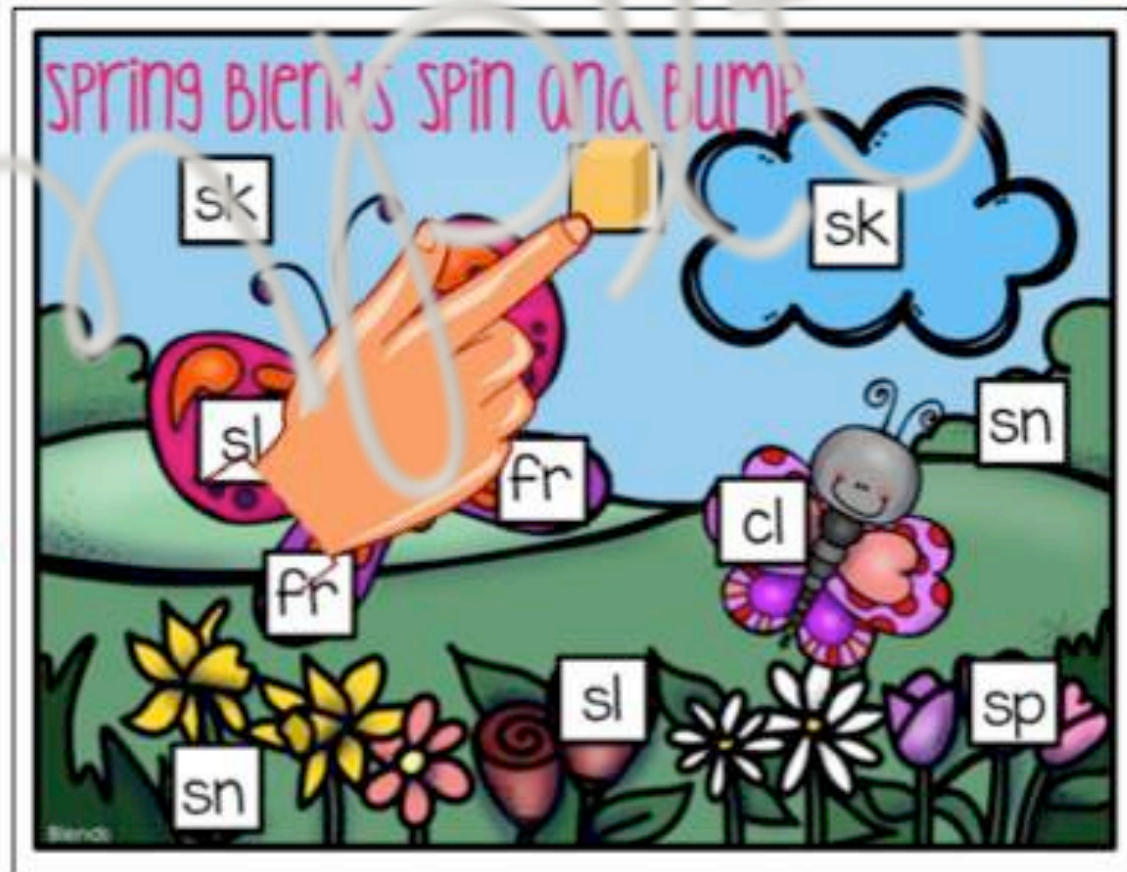
Using this packet to differentiate



Here is an example using blends. There are three different spinners available for blends in this packet. This will allow for some extension of activities and ample opportunity to differentiate. For instance, one spinner has just a picture, one a picture with the word, and one has just the blend. Likewise, the recording sheets are differentiated as well. You will find one recording sheet that has just pictures, one with pictures and words and one with just words. This is how an activity from this spinner packet might look if it were in your planning book:

Word Work Stations					
Stations Number	CCSS/Concept/Skill	Activity Name	ORANGE Tier 1	GREEN Tier 2	BLUE Tier 3
1	RF.1.2b	Spin and Spot a Blend	Words only	Pictures & Words	Pictures only

Spring Blends Spin and Bump: Spin the spinner to select a blend picture. Place a colored marker (snap cube) on a square with a matching blend sound. If there is already a snap cube on the square, you can bump it off. You can secure a square by placing two markers on top of it. You may place your cube on any vacant spot or a spot with only one marker. If you spin and can not play, you lose your turn. The person with the most spots covered in the end, is the winner.



Spin and Color: Spin the spinner. Say the digraph picture aloud. Now find a matching word below and color that part of the picture. If you would like to play as a game, spin with a friend to see who can color their picture first. If you can't color a space because all of those words have already been colored, then you lose your turn.



Name: _____

Spin and Color

Spin the spinner. Say the digraph picture aloud. Now find a matching word below and color that part of the picture. If you would like to play as a game, spin with a friend to see who can color their picture first. If you can't color a space because all of those words have already been colored, then you lose your turn.

math

fish

shop

shop

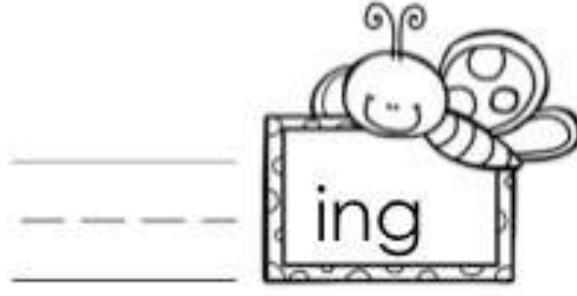
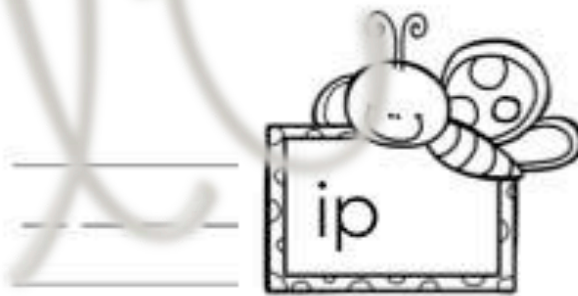
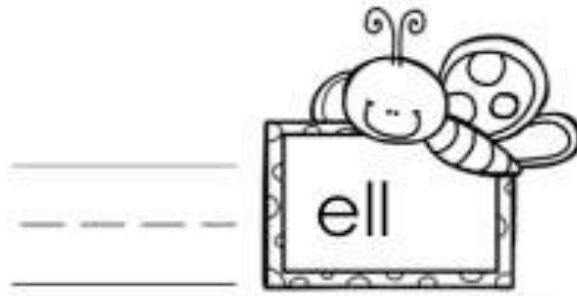
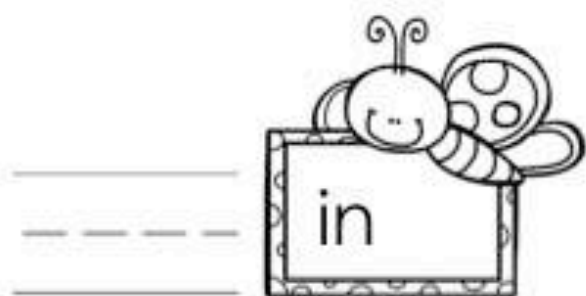
Digraph Mat 2a

Butterflies Spin and Spell

Digraph Words

Name: _____

















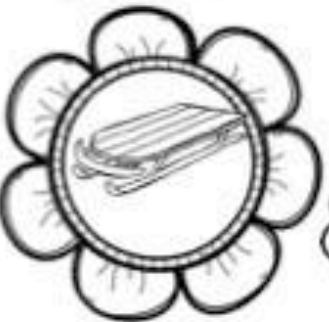



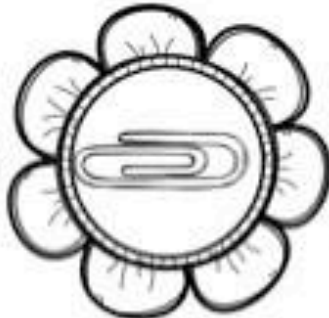
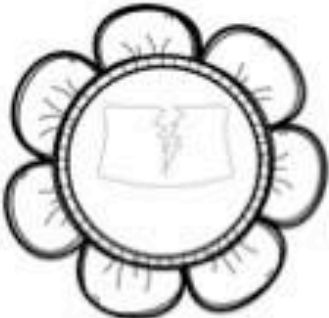
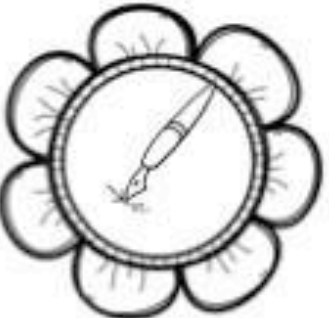
Spin the spinner to select a digraph. Place the digraph before the letters written on a sign. Read the word you made. If it is a real word, color the butterfly orange. If it is a nonsense word, color it purple.



Spin, Spot and Dot

Name: _____

Spin the spinner to select a word. Find a picture that rhymes below. Color or 'dot' the picture. If you'd like to play with a friend, see who can 'dot' four in a row first.













Rhyming

Flower Power Spin A Word: Spin the spinner to select a letter. Write the letter in the first box of the girl's sign. Spin the spinner again and place it in the last box. Read the word. If it is real, color the girl's hair **yellow**. If it is nonsense, color it **pink**.



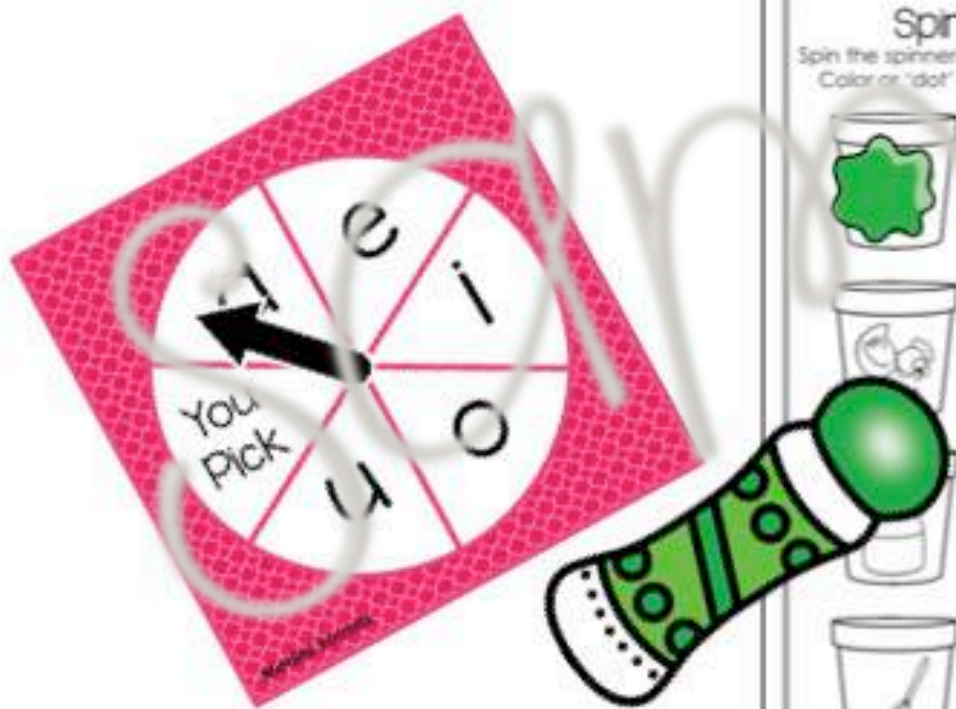
Name: _____ Flower Power Spin A Word

Spin the spinner to select a letter. Write the letter in the first box of the girl's sign. Spin the spinner again and place it in the last box of the sign. Read the word. If it is real, make the girl's hair yellow. If it is nonsense, color her hair pink.

 r u t	 i	 o	 u
 g a r	 a	 e	 i
 e	 i	 a	 o

Any CVC mat

Spin and Spot and Dot a Pot: Spin the spinner to select a vowel. Find a picture on a pot with the same medial vowel sound. Color or 'dot' the pot. If you'd like to play with a friend, see who can 'dot' four in a row or who can 'dot' the most.



Spin, Spot and Dot a Pot Name: _____

Spin the spinner to select a vowel. Find a word the same medial sound as the vowel on the spinner. Color or 'dot' the picture. If you'd like to play with a friend, see who can 'dot' four in a row first.

Medial Sounds